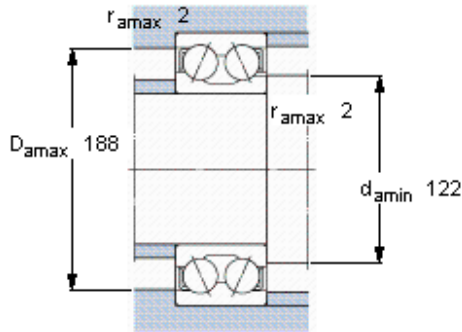
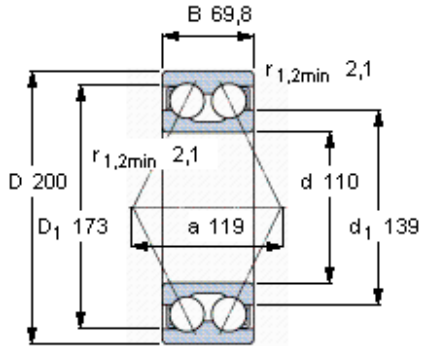


Angular contact ball bearings, double row

Principal dimensions			Basic load ratings		Speed ratings		Designation
d	D	B	dynamic C	static C0	Reference speed	Limiting speed	
mm			kN		r/min		<b>* SKF Explorer bearing</b>
<b>110</b>	200	69,8	212	212	2800	2800	<b>3222 A</b>



**Calculation factors**

- k<sub>r</sub> 0,06
- e 0,8
- X 0,63
- Y<sub>1</sub> 0,78
- Y<sub>2</sub> 1,24
- Y<sub>0</sub> 0,66